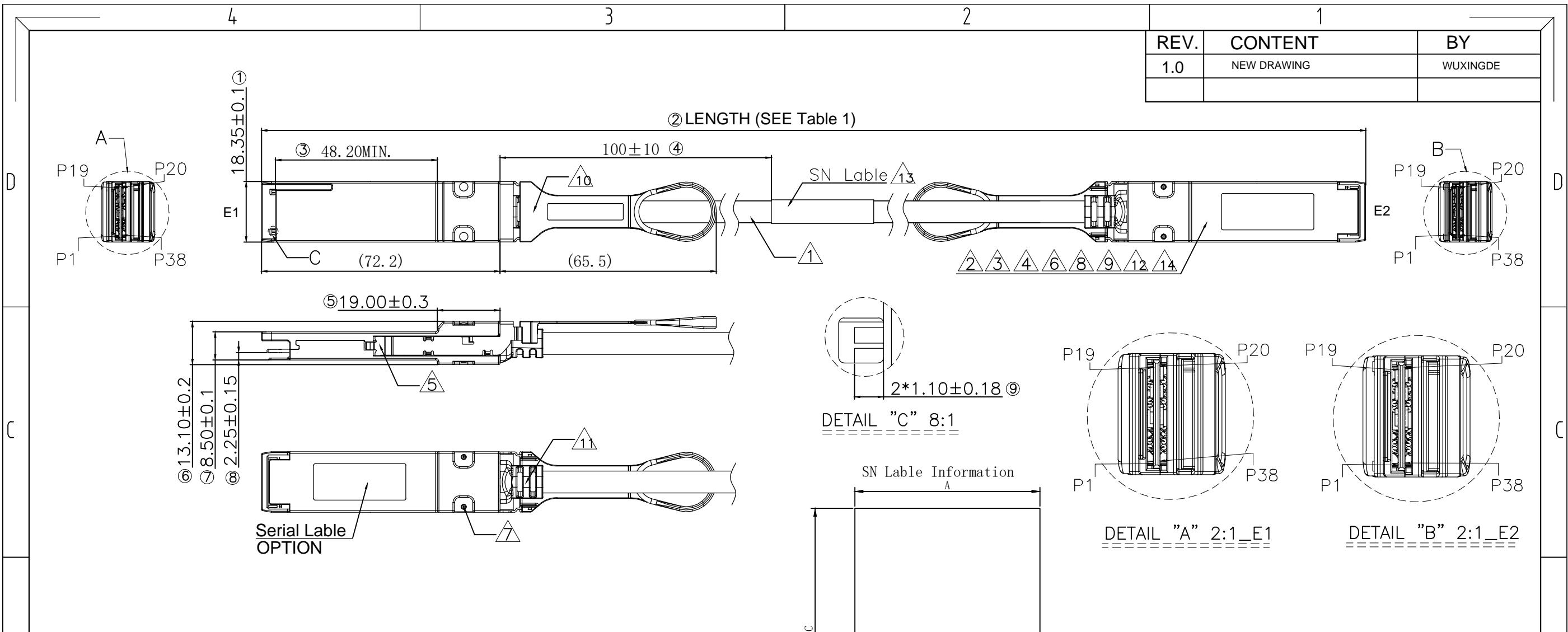
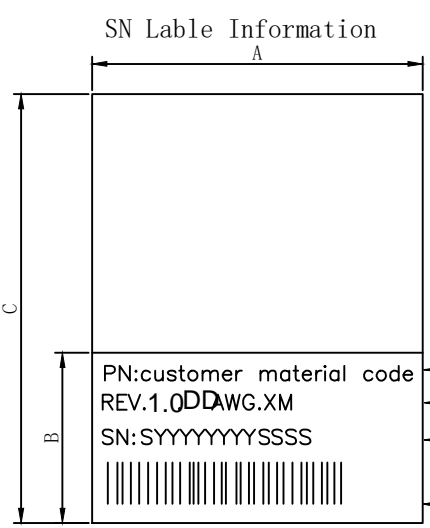


REV.	CONTENT	BY
1.0	NEW DRAWING	WUXINGDE



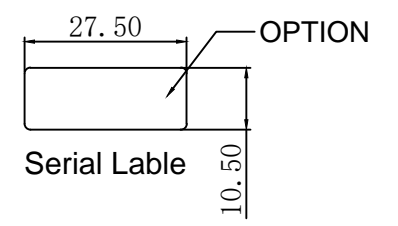
14	UP/DOWN LINE CLAMP	THERMOPLASTIC POLYMER,UL94V-0.	2	SET
13	LABEL	SEE THE:SN LABEL TYPES	1	PCS
12	COPPER FOIL	COPPER FOIL W=12.0MM	A/R	M
11	SR	TPU BLACK	2	PCS
10	PULL TAB	THERMOPLASTIC POLYMER,UL94V-0.	2	PCS
9	INNER MOLD	HOTMELT RESIN	A/R	KG
8	CIRCULAR SPRING	STAINLESS STEEL,OD=1.10MM	2	PCS
7	RIVET	STAINLESS STEEL,OD=1.60MM	4	PCS
6	COPPER RING	COPPER ALLOY,NICKEL PLATED OVERALL	2	PCS
5	LATCH	STAINLESS STEEL,T=0.50MM	2	PCS
4	BOTTOM SHELL	ZINC ALLOY,NICKEL PLATED OVERALL	2	PCS
3	UPPER SHELL	ZINC ALLOY,NICKEL PLATED OVERALL	2	PCS
2	PCB CONN.	QSFP28 PCBA 38P,GOLD PLATED CONTACT PADS	2	PCS
1	RAW CABLE	QSFP28 RAW CABLE,PVC,BLACK,RoHS2.0	A/R	M
ITEM	NAME	DESCRIPTION	Q'TY	UNIT



Material coding  
 C Describe (DD:Cable number;xM:Cable length)  
 Series number,S:Series products;  
 YYYYYYYY:8 digits after WO.; SSSS:Serial number  
 Code 128, Contents:YYYYYYYSSSS  
 (Font:Arial,Height 8.0)

SN Label types

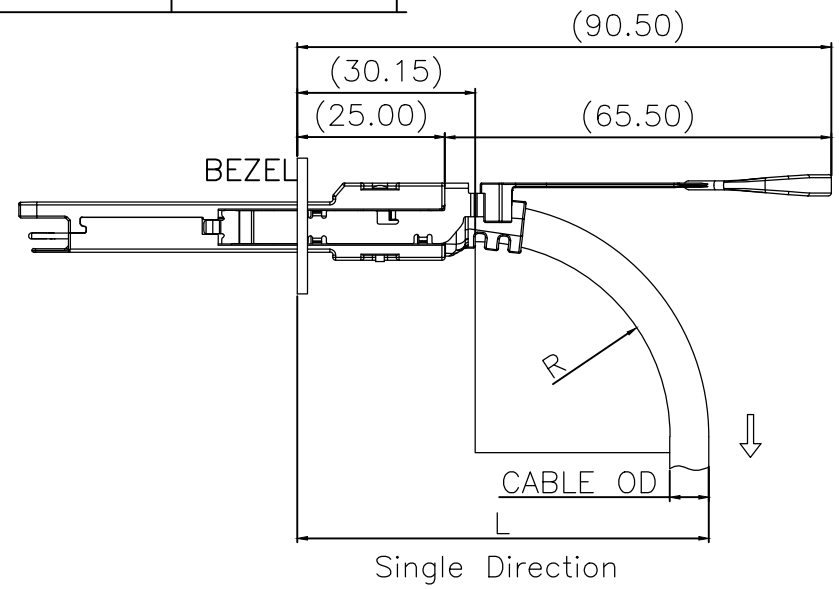
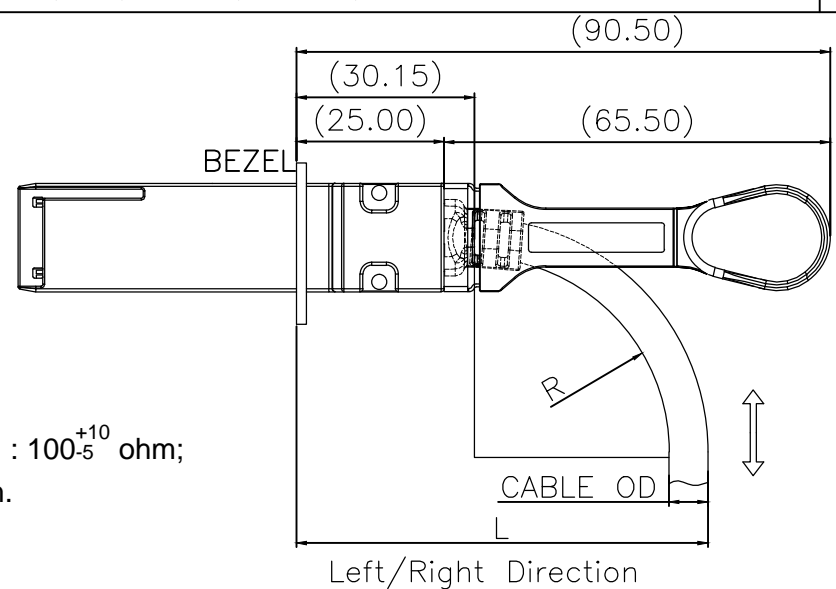
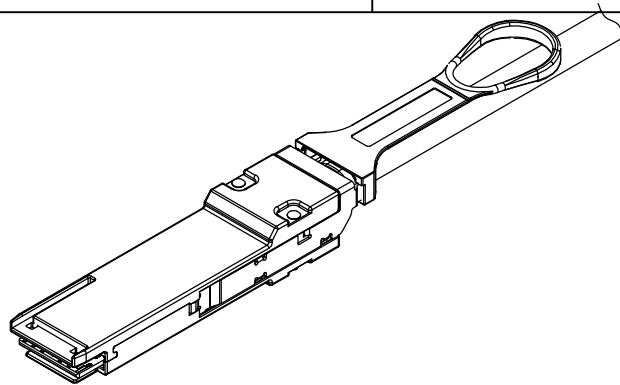
Project Size (mm)	CABLE LABEL			Cable Number
	A	B	C	
Cable types	A	B	C	DD
30、28AWG	31.0	15.0	41.0	30/28
26AWG	31.0	15.0	51.0	26



UNITS mm	NAME(CUSTOMER USE)	10Gtek 10GTEK TRANSCEIVERS CO., LTD
MAT'L	PRODUCT NO. (CUSTOMER USE)	
FINISH	See Table 1	TITLE: CAB-ZQP-ZQP-PxM
QTY	APPD: Tony 2019.12.05	DWG NO: W-RD-P223
THESE DRAWING AND SPECIFICATIONS ARE THE PROPERTY OF 10GTEK TRANSCEIVERS CO.,LTD. AND SHALL NOT BE REPRODUCED COPIED OR USED IN ANY MANNER WITHOUT THE PRIOR WRITTEN CONSENT OF 10GTEK TRANSCEIVERS CO.,LTD	CHKD: Nicky 2019.12.05	
	DR: WXD 2019.12.05	
		SCALE SHEET REV. 1:1 1/3 1.0

**TABLE 1:**

ITEM	10GTEK P/N	DESCRIPTION	LENGTH	CABLE AWG
1	CAB-ZQP/ZQP-P0.5M-30	100GBase-CR4 DAC Cable, 0.5-m, Passive, 30AWG, MCU	1.5m	30AWG
2	CAB-ZQP/ZQP-P1M-30	100GBase-CR4 DAC Cable, 1-m, Passive, 30AWG, MCU	3.0m	30AWG
3	CAB-ZQP/ZQP-P1.5M-30	100GBase-CR4 DAC Cable, 1.5-m, Passive, 30AWG, MCU	4.5m	30AWG
4	CAB-ZQP/ZQP-P2M-30	100GBase-CR4 DAC Cable, 2-m, Passive, 30AWG, MCU	6.0m	30AWG
5	CAB-ZQP/ZQP-P2.5M-30	100GBase-CR4 DAC Cable, 2.5-m, Passive, 30AWG, MCU	7.5m	30AWG
6	CAB-ZQP/ZQP-P3M-28	100GBase-CR4 DAC Cable, 3-m, Passive, 28AWG, MCU	9.0m	28AWG
7	CAB-ZQP/ZQP-P3M-26	100GBase-CR4 DAC Cable, 3-m, Passive, 26AWG, MCU	9.0m	26AWG
8	CAB-ZQP/ZQP-P4M-26	100GBase-CR4 DAC Cable, 4-m, Passive, 26AWG, MCU	12.0m	26AWG
9	CAB-ZQP/ZQP-P5M-26	100GBase-CR4 DAC Cable, 5-m, Passive, 26AWG, MCU	15.0m	26AWG



**NOTES(说明):**

- DIFFERENTIAL IMPEDANCE(差分阻抗):  
 RISE TIME (上升时间): 25ps(20%~80%) ,RAW CABLE(线材):  $100^{+10}_{-5}$  ohm;  
 PROCESSING AREA AND MATED CONNECTOR:  $100^{+10}_{-20}$  ohm.  
 (加工区域与金手指接触区规格:  $100^{+10}_{-20}$  ohm.)
- 100% OPEN,SHORT&INTERMITANCE TEST  
 (产品必须100%进行断路.短路及间隙性接触测试)
- THE DIMENSIONS MARKED" "SHALL BE CHECKED.  
 (标注" "的尺寸必须重点检验)
- HIGH-FREQUENCY TEST ACCORDING TO IEEE802.3bj STANDARD.  
 (高频测试依IEEE802.3bj 标准测试)
- SI SHALL BE TESTED IN 100%, EEPROM WITH UNLOCK REQUIRED 100% CHECK.  
 (SI须100%测试, EEPROM与解锁需100%检验)
- ALL MATERIALS MUST COMPLY WITH RoHS2.0.  
 (所有物料必须符合RoHS2.0)
- COMPLIANT TO INDUSTRY STANDARDS:QSFP+ SFF-8661  
 (符合行业标准:QSFP+ SFF-8661)
- PRODUCT LABELS AND PACKAGING LABEL DATE AND SERIAL NUMBER SHOULD BE CONSISTENT.  
 (产品标签与包装标签日期及流水号需保持一致)

**ASSEMBLY BEND RADIUS & INSTALL RADIUS**

CABLE GAUGE	DIAMETER"OD"	MIN. BEND RADIUS"R"	MIN. BEND SPACE"L"
30AWG	7.0mm	35.0mm	72mm
28AWG	8.4mm	42.0mm	81mm
26AWG	8.9mm	44.5mm	84mm

UNITS mm	NAME(CUSTOMER USE)	10Gtek 10GTEK TRANSCEIVERS CO., LTD
MAT'L	PRODUCT NO. (CUSTOMER USE)	
FINISH	See Table 1	TITLE: CAB-ZQP-ZQP-PxM
QTY	APPD: Tony 2019.12.05	DWG NO: W-R&D-P223
THESE DRAWING AND SPECIFICATIONS ARE THE PROPERTY OF 10GTEK TRANSCEIVERS CO.,LTD. AND SHALL NOT BE REPRODUCED COPIED OR USED IN ANY MANNER WITHOUT THE PRIOR WRITTEN CONSENT OF 10GTEK TRANSCEIVERS CO.,LTD	CHKD: Nicky 2019.12.05	SCALE SHEET REV. 1:1 2/3 1.0
	DR: WXD 2019.12.05	

**ELECTRICAL PERFORMANCE**

- WORKING VOLTAGE: 3.3V
- CURRENT RATING: 0.5A MAX. PER CONTACT
- INSERTION LOSS (SDD21).( INCLUDED FIXTURE):REFERENCE IEEE802.3bj STANDARD. -22.48dB MIN.FOR 12.89GHz.

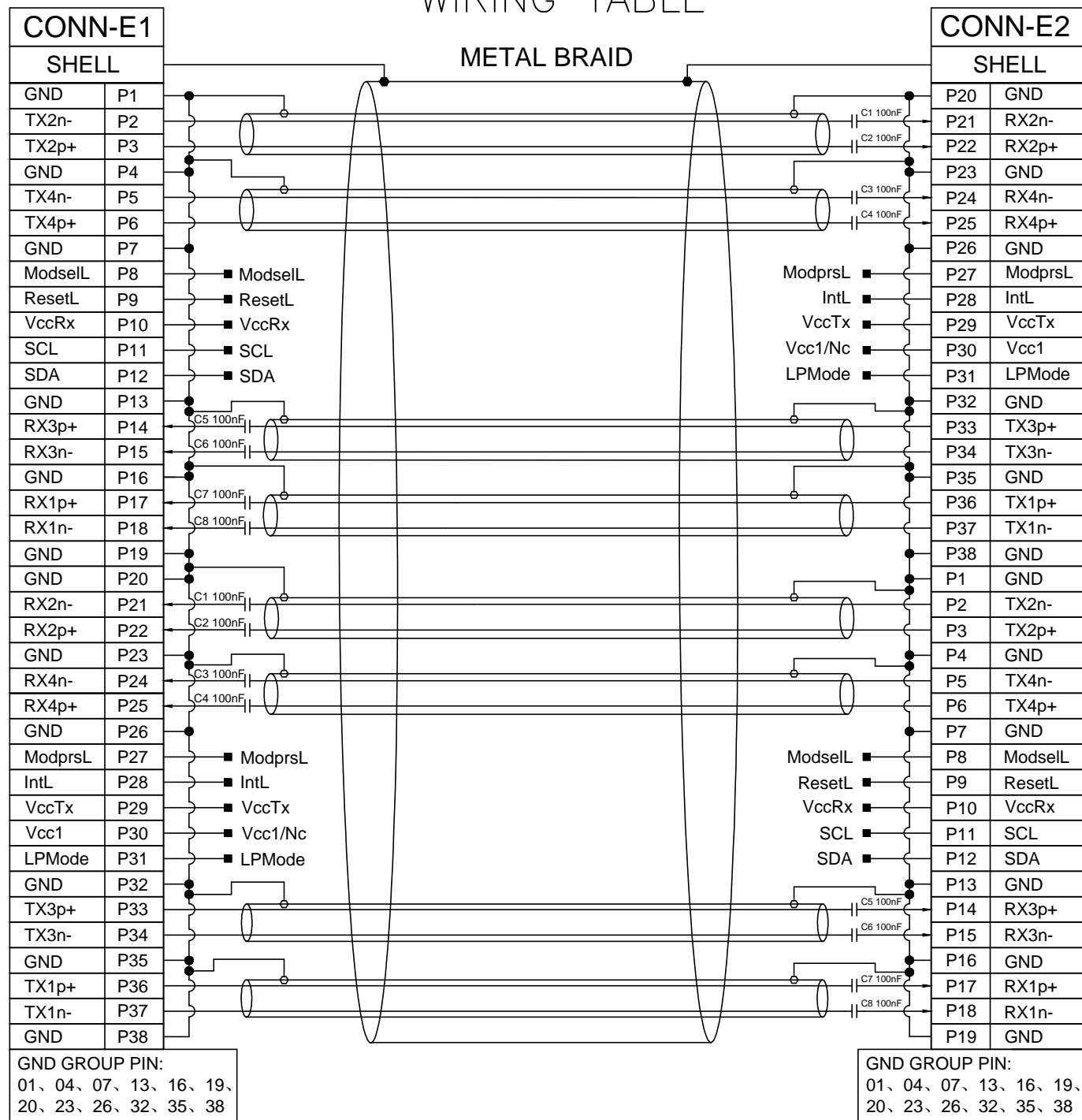
**ENVIRONMENTAL**

- OPERATING TEMPERATURE : -0°C TO +70°C
- STORAGE TEMPERATURE:-40°C TO +85°C ,RELATIVE HUMIDITY<80%
- GUARANTEE PERIOD:6 MONTHS

**MECHANICAL PERFORMANCE**

- DURABILITY: 50 CYCLES
- CABLE PLUG INSERTION FORCE:40N MAX.
- CABLE PLUG EXTRACTION FORCE:30N MAX.
- PULL TAB RETENTION FORCE:125N/1MINUTE MIN.
- CABLE PLUG RETENTION IN CAGE :125N/1MINUTE MIN.
- CABLE RETENTION:90N/1MINUTE MIN.
- CABLE FLEX: FLEX CABLE 180° FOR 100 CYCLES. (50 CYCLES IN TWO AXES) AT 100 CYCLES PER MINUTE

**WIRING TABLE**



UNITS mm	NAME(CUSTOMER USE)	10Gtek 10GTEK TRANSCEIVERS CO., LTD	
MAT'L	PRODUCT NO. (CUSTOMER USE) See Table 1	TITLE: CAB-ZQP-ZQP-PxM	
FINISH	APPD: Tony 2019.12.05	DWG NO: W-R&D-P223	
QTY	CHKD: Nicky 2019.12.05	SCALE SHEET REV. 1:1 3/3 1.0	
<small>THESE DRAWING AND SPECIFICATIONS ARE THE PROPERTY OF 10GTEK TRANSCEIVERS CO.,LTD. AND SHALL NOT BE REPRODUCED COPIED OR USED IN ANY MANNER WITHOUT THE PRIOR WRITTEN CONSENT OF 10GTEK TRANSCEIVERS CO.,LTD</small>		DR: WXD 2019.12.05	